

Ultra High Performance BGA Cooling Solutions w/ maxiGRIP™ Attachment*

DIGI-KEY PART # ATS1033-ND

ATS PART # ATS-50190P-C2-R0

Features & Benefits

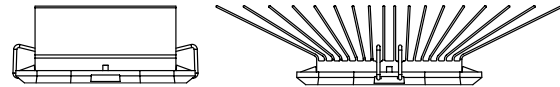
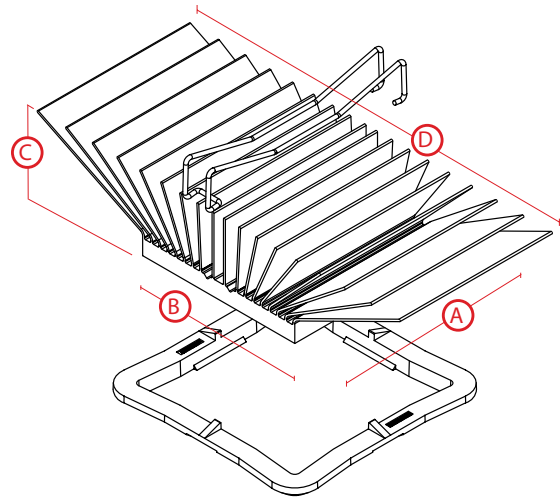
maxiFLOW™ design features a low profile, spread fin array that maximizes surface area for more effective convection (air) cooling

maxiGRIP™ attachment applies steady, even pressure to the component and does not require holes in the PCB

Meets Telcordia GR-63-Core Office Vibration; ETSI 300 019 Transportation Vibration; and MIL-STD-810 Shock and Unpackaged Drop Testing standards

Comes preassembled with high performance, phase changing, thermal interface material

Designed for standard height components from 3 to 4.5mm



Thermal Performance Table

| AIR VELOCITY | | THERMAL RESISTANCE | |
|--------------|-----|--------------------|---------------|
| FT/MIN | M/S | °C/W (UNDUCTED) | °C/W (DUCTED) |
| 200 | 1.0 | 7.7 | 6.4 |
| 300 | 1.5 | 6.3 | |
| 400 | 2.0 | 5.6 | |
| 500 | 2.5 | 5 | |
| 600 | 3.0 | 4.6 | |
| 700 | 3.5 | 4.3 | |
| 800 | 4.0 | 4 | |

Product Details†

| DIMENSION A | DIMENSION B | DIMENSION C§ | DIMENSION D | TIM‡ | FINISH |
|-------------|-------------|--------------|-------------|--------|---------------|
| 19 | 19 | 17.5 | 34.74 | C1100F | BLUE-ANODIZED |

For further technical information, please contact Advanced Thermal Solutions, Inc. at **1-781-769-2800** or www.qats.com

* RoHS Compliant

‡ TIM = Thermal Interface Material

† Dimensions are measured in millimeters

◆ Dimensions A & B refer to component size

§ Dimension C = the height of the heat sink shown above and does not include the height of the attachment method



ATS ADVANCED THERMAL SOLUTIONS, INC.

Innovations in Thermal Management®



To place an order, please visit www.digikey.com